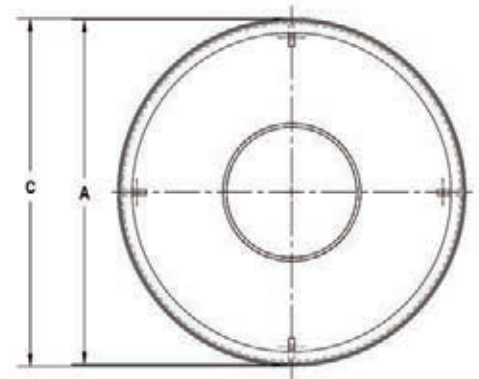
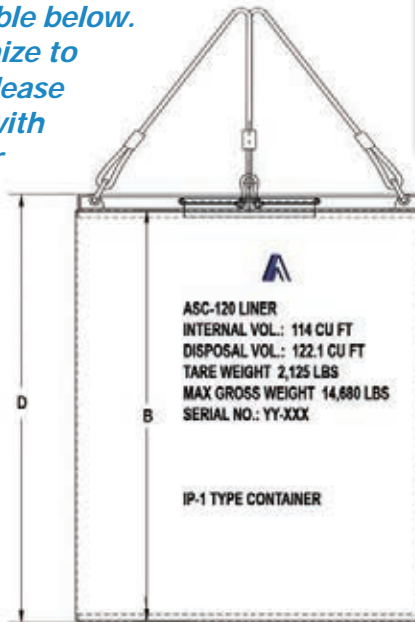


When poly high integrity containers (HICs) are not required, tremendous savings can be achieved by using AVANTech Steel Containers (ASCs). Standard sizes are shown in the table below. We can also customize to meet your needs. Please call for containers with other dimensions or features.



Optional Equipment

Stainless Steel Lift Slings
Fill Plate
ALARA Plug Lid
ALARA Closure Lid
85-Gallon Manway

AVANTech Steel Containers (ASC) Standard Sizes

Model No.	Internal Dimensions		Internal Volume (ft ³)	External Dimensions		Disposal Volume (ft ³)	Weight (lbs.)		Compatible Cask	Model Suffix (Options)
	(A) Dia. (in.)	(B) Hgt. (in.)		(C) Dia. (in.)	(D) Hgt. (in.)		Empty (Tare)	Max Loaded (Gross)		
ASC-95	57.25	52.75	79	58.00	57.00	87.4	1,690	7,500	6-80-B and larger	- MT - Empty - G - Grapple Top
ASC-120	59.25	71.50	114	60.00	74.75	122.1	2,125	14,680	8-120-B	- OT - Open Top - BR - Bead Resin
ASC-160	65.75	72.75	143	66.50	76.00	152.8	2,430	14,250	RT-100-B/ 10-160-B	- PDX - Powdex - SLG - Sludge
ASC-190	73.75	67.75	167	74.50	72.00	181.7	2,690	20,000	14-170/14-190	- SCF - Solids Collection Filter - RSL - Resin Solidification
ASC-200	74.25	74.50	189	75.00	77.75	198.5	2,900	20,000	14-195/14-210/ 14-212/14-215	- FRC - Filter Retention - DF - Dresser Fitting(s)

Example: ASC-120-G-PDX is a 120-ft³ steel container with grapple top and powdex internals.